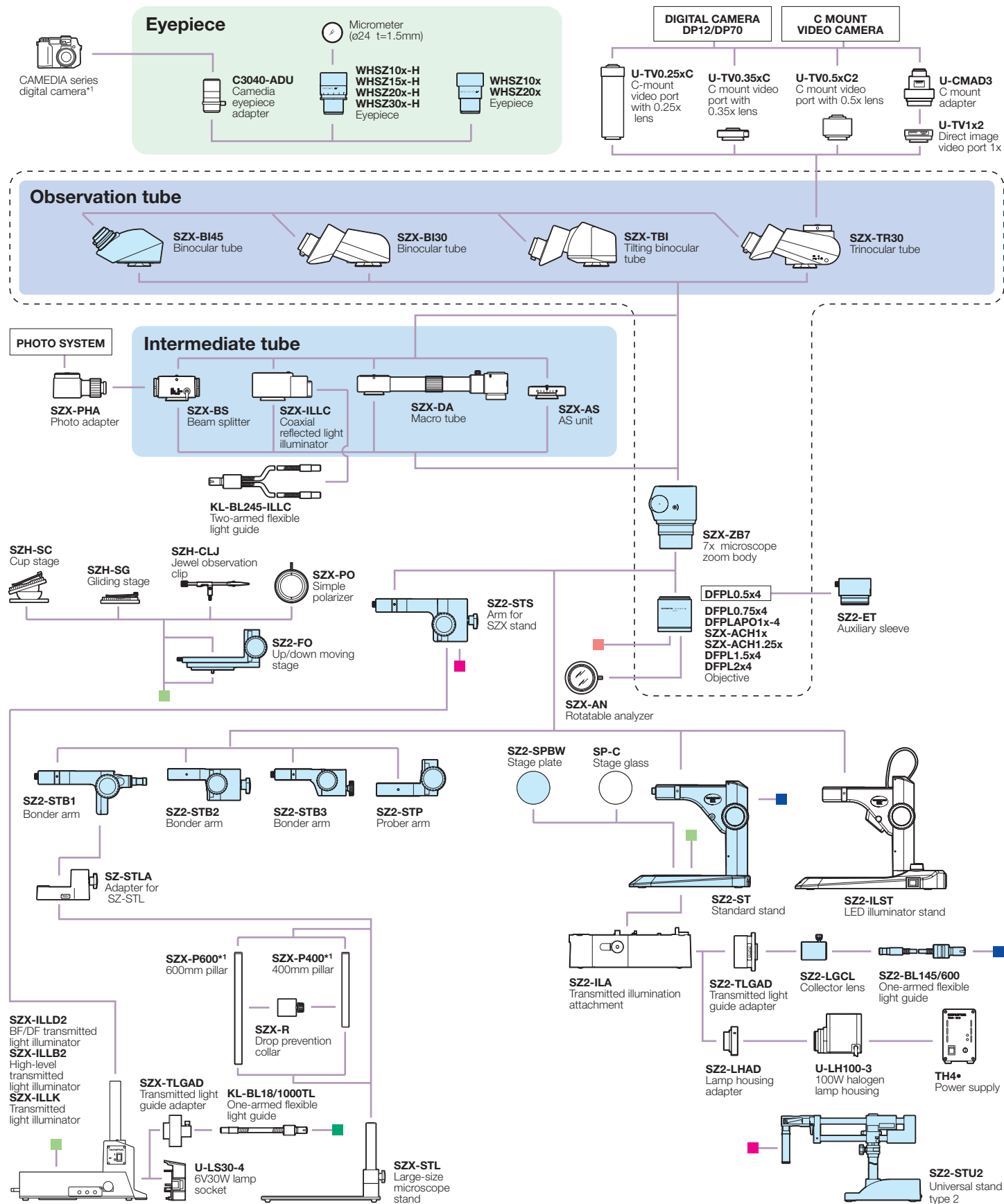


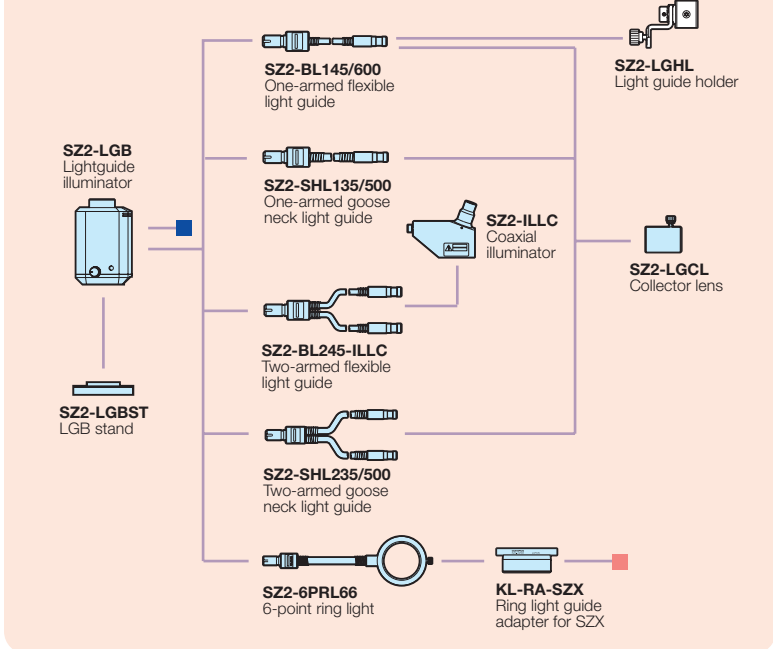
## ■ SZX7 system diagram



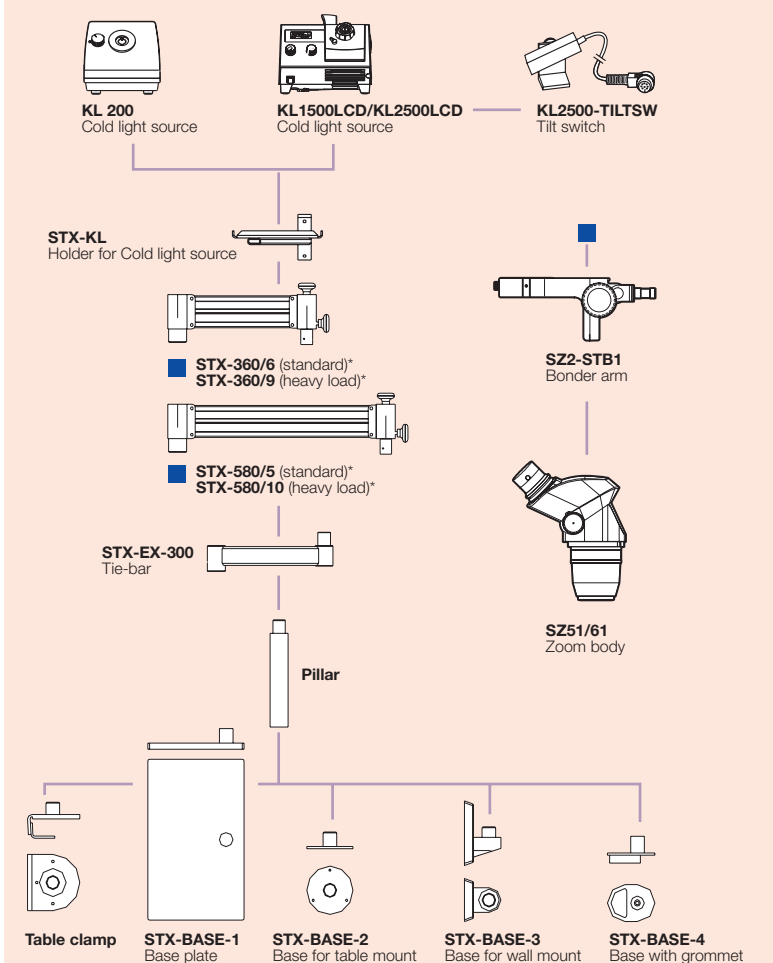
ESD compatible

\*1 SZX-P400 and SZX-P600 can be attached to the transmitted light illuminators.

## SZ2-LGB Lightsource



## STX Suspension arm



\*Suspension arm set including pillar and table clamp